

If you are creating your CD face in Adobe Photoshop, we recommend setting the resolution at 600 DPI. This will give your job much crisper text.

Bleeds: This area is going to be completely trimmed away during the cutting process. Only solid colors, background images or foreground images that intentionally run off the page should extend through this area. Having bleeds ensures that your artwork will not have a thin white border around it.

Color Space: Be sure to use a CMYK color space when designing your art. It will be printed using Cyan Magenta Yellow and black. Other color spaces such as RGB and Index (both used primarily for web design) will have to be converted before they are printed and this typically causes a shift in colors that cannot be avoided or fixed. Pantone colors will also have to be converted to their closest CMYK equivalent

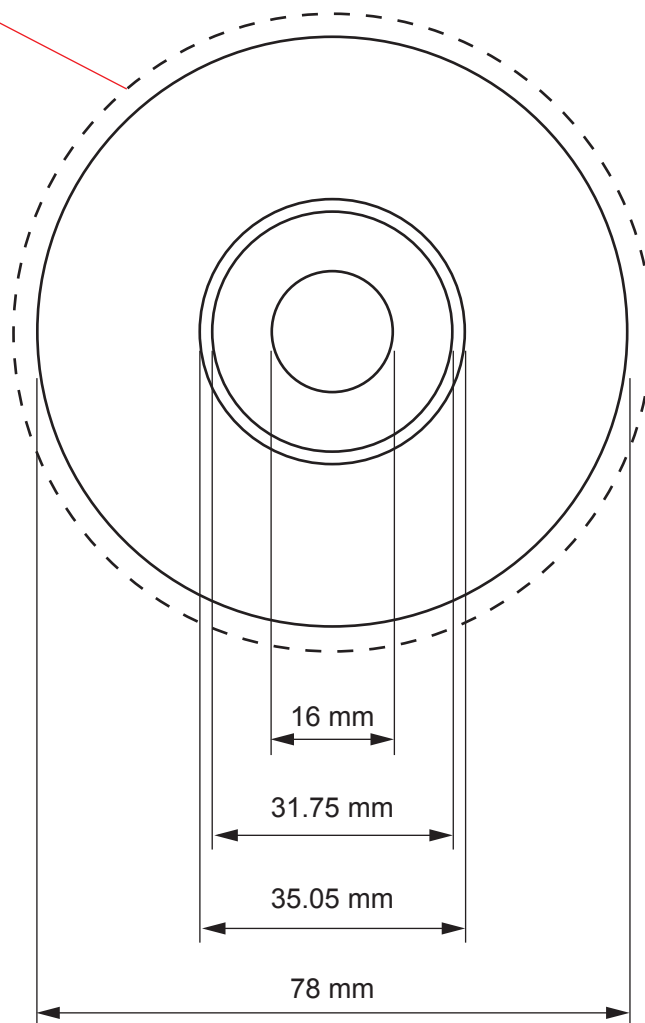
Fonts: You must either submit copies of all fonts used in your layout in a separate folder along with your artwork, make them outlines (in Illustrator), rasterize them (Photoshop), or flatten them into your artwork (Photoshop). Fonts sized below 5 pt. will not print well. Acceptable font formats are Mac TrueType, Open Type, Postscript and dfont. Windows fonts must be outlined or rasterized.

Resolution: Illustrator files are vector art and do not require a specific resolution to print clearly as long as they remain saved as vectors in .ai, .eps, and .pdf files. All Photoshop files must be AT LEAST 300 DPI in order to print clearly. 600 DPI is recommended for images with significant type setting performed in Photoshop. Images pulled of the internet typically have a resolution of 72-96 DPI which is not acceptable for print production. Pictures taken with a digital camera are typically 72 DPI but at a very large size. Be sure to uncheck the "resample image" box at the bottom of the Edit>image dialog box in Photoshop to increase resolution while sizing down your image.

Artwork not following these specs will have to be adjusted, which may require significant, additional time and incur higher graphics charges.

Mini CD-R (Shown at Actual Scale)

Bleed Area (The area between the solid ring and the dotted ring will be cut away)



Superdups®  New England
Compact Disc

68H Stiles Road • Salem, NH 03079
Phone 1-800-617-3877
Fax (603) 890-8997

superdups.com newenglandcd.com

Please carefully read documentation in regards to proofing and proof approval.